

Articolo /item

Codice / Code

EVEREST

GDC007

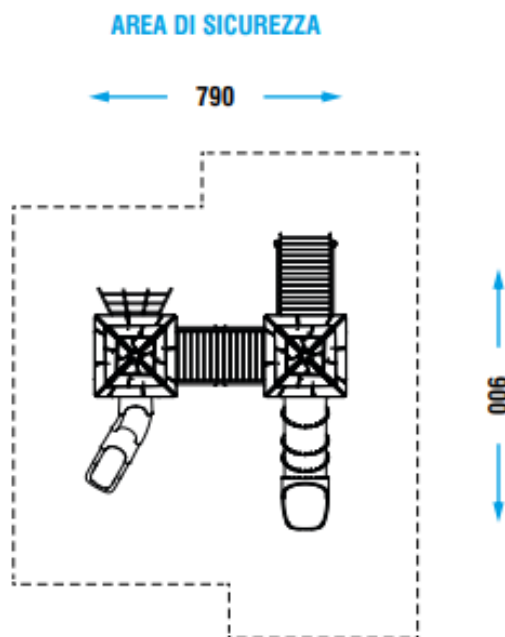


Play structure composed of:

- n°8 load-bearing poles in wood or aluminium
- n°2 wood or aluminium decks
- n°2 PTE pyramidal roofs
- n°1 arched bridge
- n°1 metal parapet
- n°2 PTE parapets
- n°1 wood or aluminium stair
- n°1 tube slide
- n°1 modular slide with HDPE bar
- n°2 HDPE sheet play panels
- n°1 net climb

TECHNICAL DATASHEET

Dimensions	490 x 550 cm
height	350 cm
CHF	125 cm
Age of use	3 +
min/max area anti-shock flooring	min. 55,00 m ² - MAX 67,50 m ²



NOTE

Rev. 07-2023

